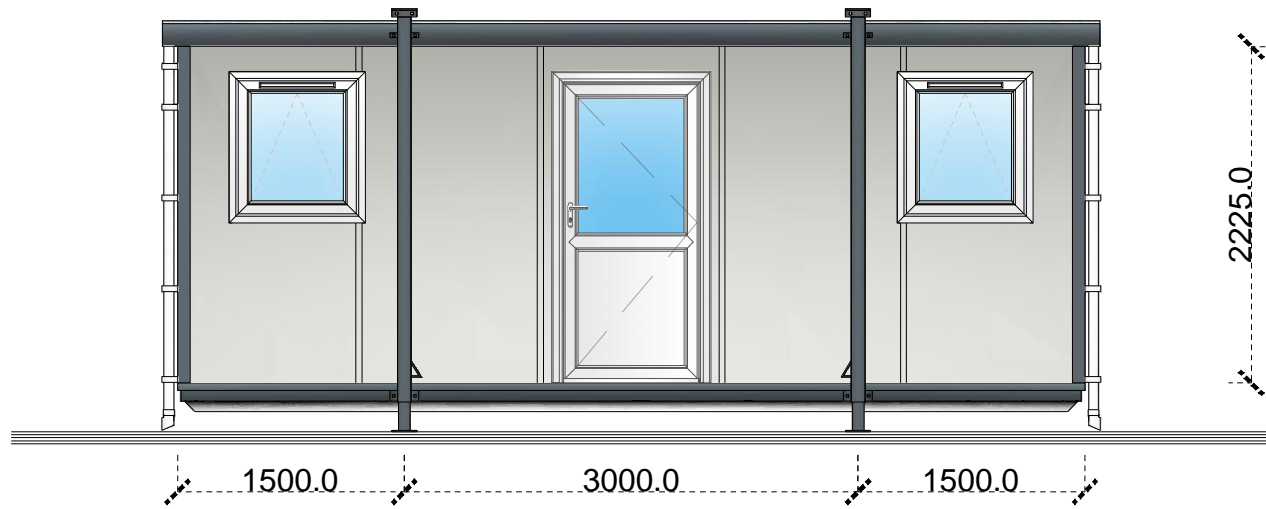
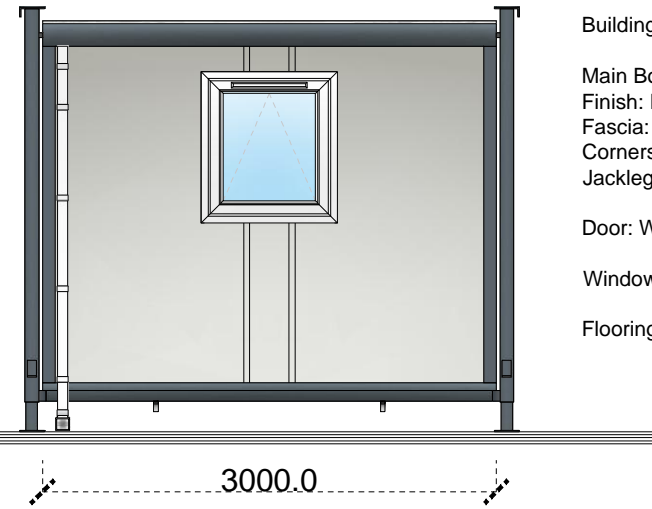


Elevation A



Elevation B



Building Specification

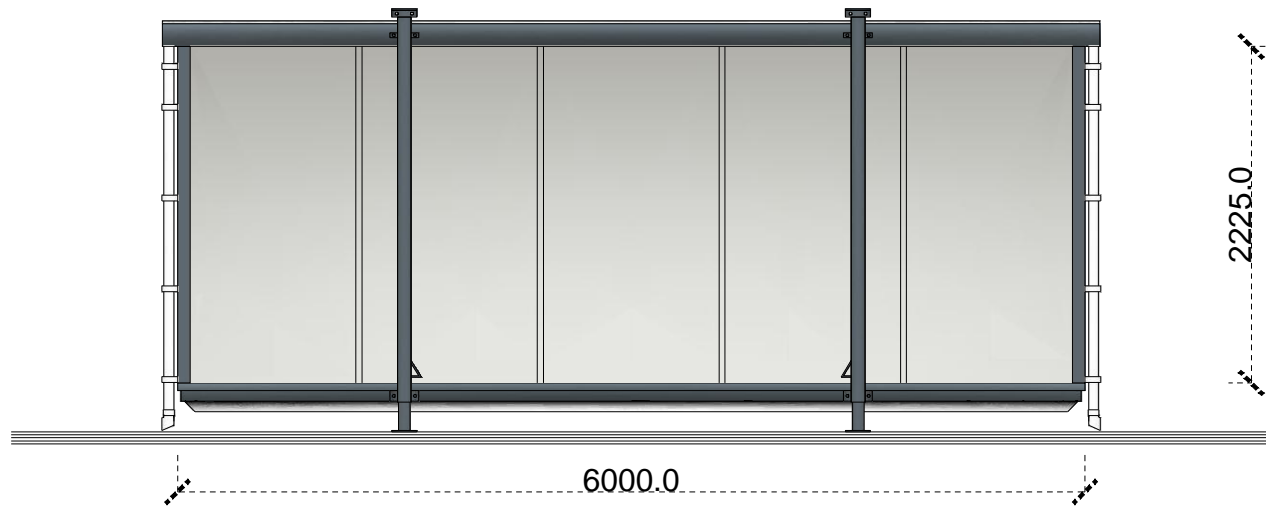
Main Body: Goosewing Grey, 10A05
 Finish: Plastic Coated Steel
 Fascia: Anthracite, RAL 7016
 Corners: Anthracite, RAL 7016
 Jacklegs: Anthracite, RAL 7016

Door: White uPVC

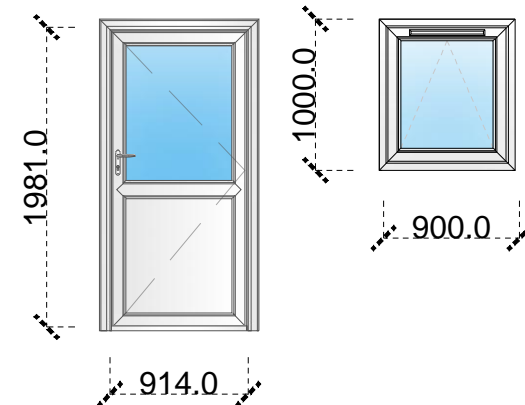
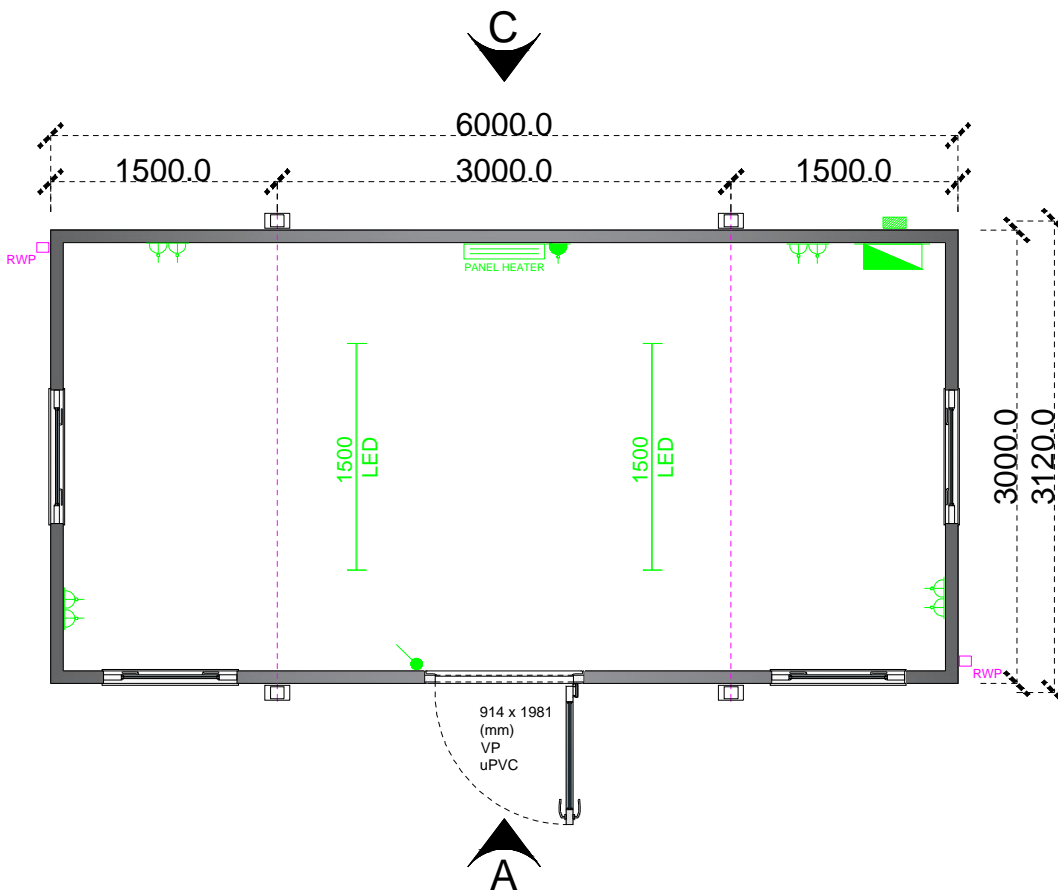
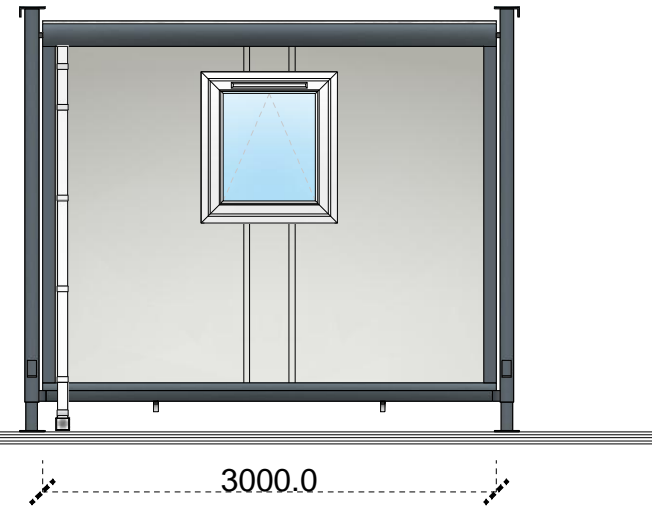
Windows: White uPVC

Flooring: Polyflor XL PU, Flint, 3720

Elevation C



Elevation D



Drawing Legend

- Distribution Board
- Electrical Inlet
- Single 13Amp Socket (450mm AFFL)
- Double 13Amp Socket (450mm AFFL)
- Double 13Amp Socket (1100mm AFFL)
- H/L Single Switch Fused Spur
- Below Work Top Level Single Switched Spur
- Switched Spur
- Unswitched Spur
- Telephone Outlet Socket (450mm AFFL)
- Data Point
- 20A DP Isolator
- 45A DP Isolator
- 6A Double Pole Pullswitch
- 20A Double Pole Lightswitch (1200 AFFL)
- HL Convector Heater
- Convector Heater
- Tubular Heater
- Under Sink Water Heater
- Emergency Lighting
- Internal Bulkhead Light
- 1500 LED
- 1500 CAT II
- 1500 L.E.D
- 1500 TUFF
- Fluorescent Light With Diffuser
- Category 2 Lighting
- L.E.D Tubular Lighting
- Vapor Proof Fluorescent Light
- External Bulkhead Lighting
- Passive Infrared Sensor
- Extractor Fan
- Air Conditioning Condenser
- Air Conditioning Unit
- Cold Water Point
- Rainwater Down Pipe
- Foul Outlet
- FROST STAT

REV	DATE	DESCRIPTION	BY



Stock			
Project: New 20' x 10' (6m x 3m) Jackleg Cabin			
Drawing: Plan & Elevations			
Drawn By: R.W	Date: 29/03/2021		
Checked By:	Sheet: A3	Scale: 1:50	
Drawing Number: PBSS2284	Rev:	Stock Reference:	

This drawing is to be read in conjunction with all related drawings. Do not scale from this drawing. All dimensions must be checked and verified on site before commencing any work or producing shop drawings. The originator should be notified immediately of any discrepancy. This drawing is copyright and remains the property of Portable Building Sales Ltd.