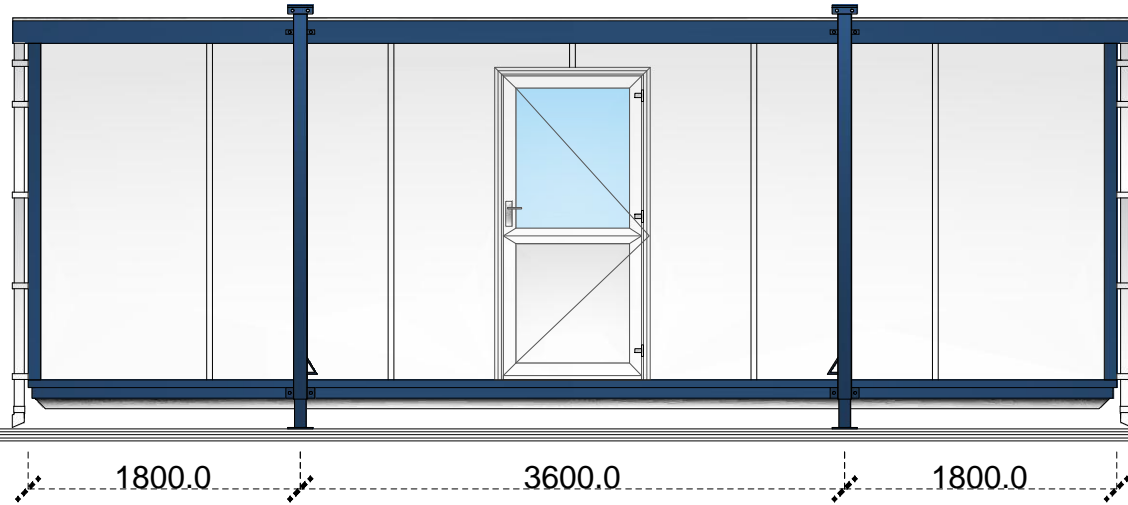
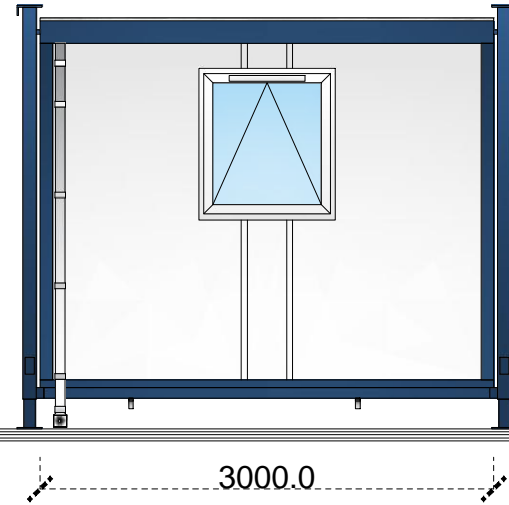


Elevation A



Elevation B



Building Specification

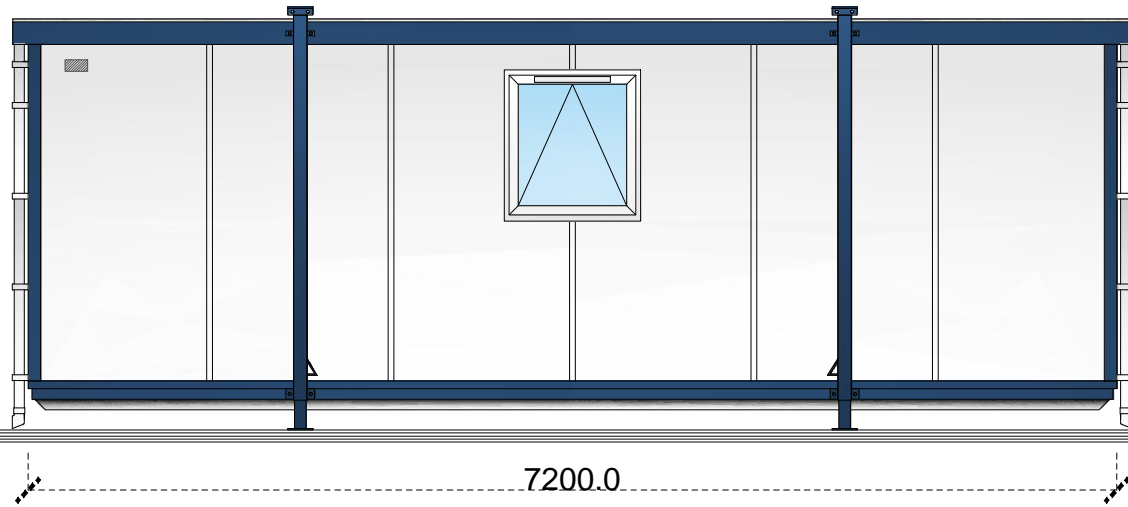
Main Body: Colour TBC,
Finish TBC
Fascia: Colour TBC
Corners: Colour TBC
Jacklegs: Colour TBC

Door

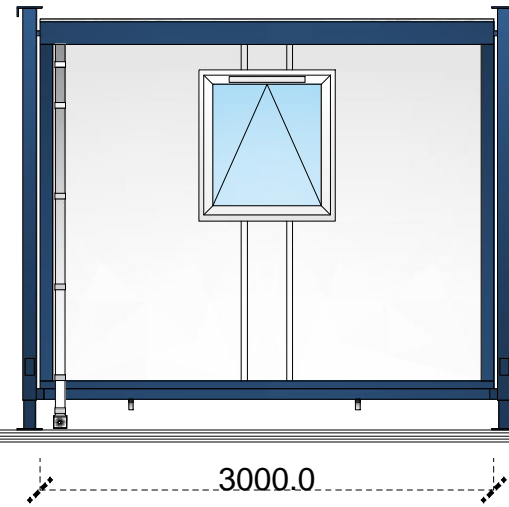
Windows

Flooring: Vinyl, Colour TBC

Elevation C

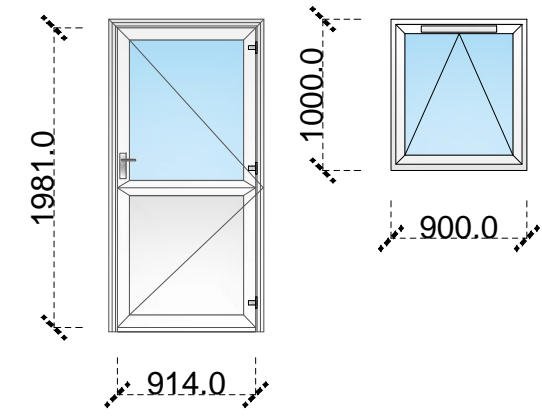
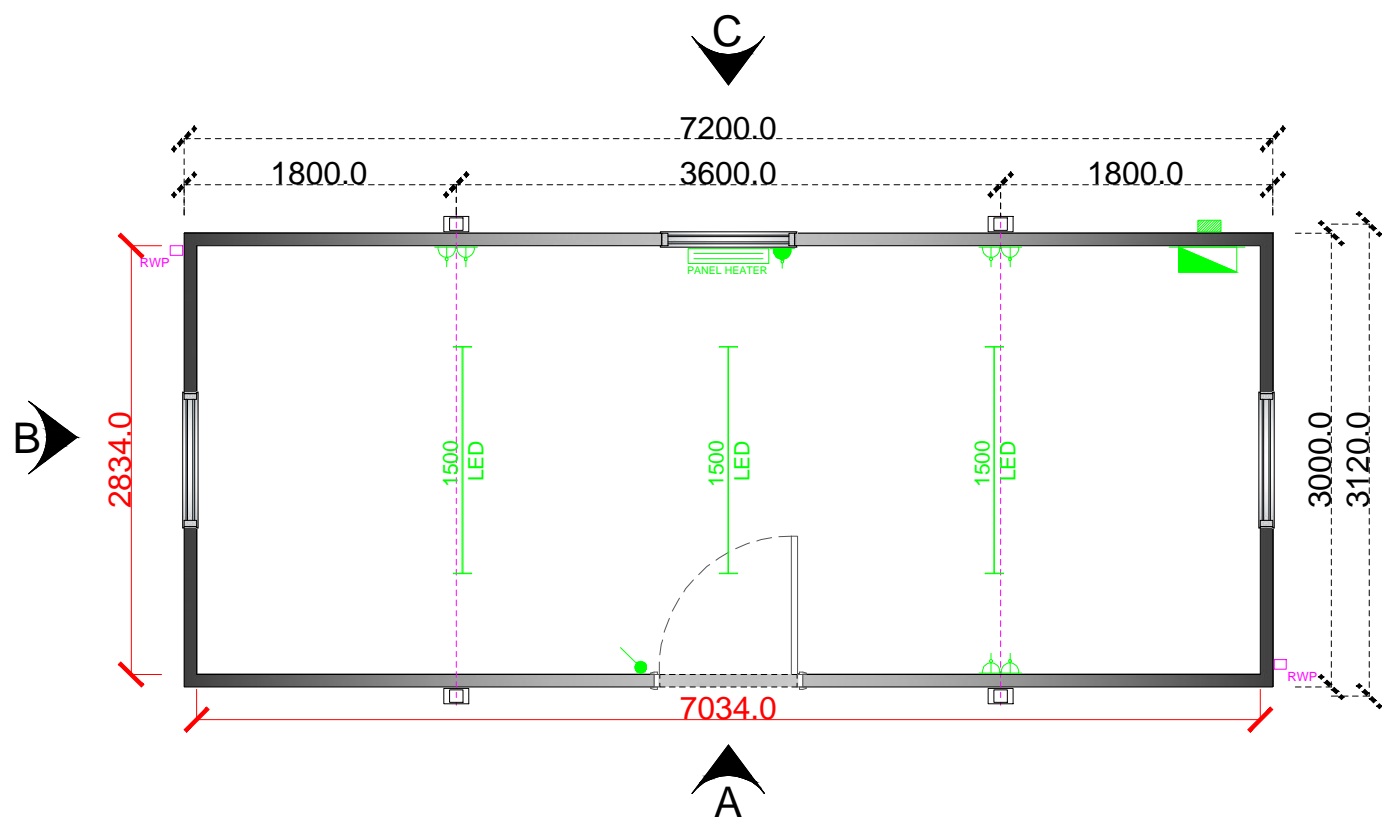


Elevation D



Drawing Legend	
Electrical	
	Distribution Board
	Electrical Inlet
	Single 13Amp Socket (450mm AFFL)
	Double 13Amp Socket (450mm AFFL)
	Double 13Amp Socket (1100mm AFFL)
	H/L Single Switch Fused Spur
	Switched Spur
	Unswitched Spur
	Data Back Box
	6A Double Pole Pullswitch
	20A Double Pole Lightswitch (1200 AFFL)
Heating	
	High Level Heater
	Panel Heater
	Tubular Heater
	Frost Thermostat
	Under Sink Water Heater
	Over Sink Water Heater
Lighting	
	Emergency Light
	Internal Bulkhead Light
	L.E.D Batten Light
	Vapor Proof L.E.D Light
	L.E.D Ceiling Panel Light
	External Bulkhead Light
	Passive Infrared Sensor
Mechanical	
	Extractor Fan - Wall Mounted
	Extractor Fan - Ceiling Mounted
	Air Conditioning Unit - Wall Mounted
	Air Conditioning Unit - Ceiling Mounted
	Air Conditioning Condenser
Water	
	Mains Cold Water Inlet (MCW)
	Foul Water Outlets - 40mm & 110mm

REV	DATE	DESCRIPTION



Client:		24' x 10' (7.2m x 3m)	
Project:		New Jackleg Cabin (uPVC)	
Drawing:		Plan & Elevations	
Drawn By:	J.H	Date:	01/02/2019
Checked By:	A3	Scale:	1:50
Drawing Number:	PBSE	Rev:	Stock Reference:

This drawing is to be read in conjunction with all related drawings. Do not scale from this drawing. All dimensions must be checked and verified on site before commencing any work or producing shop drawings. The originator should be notified immediately of any discrepancy. This drawing is copyright and remains the property of Portable Building Sales Ltd.