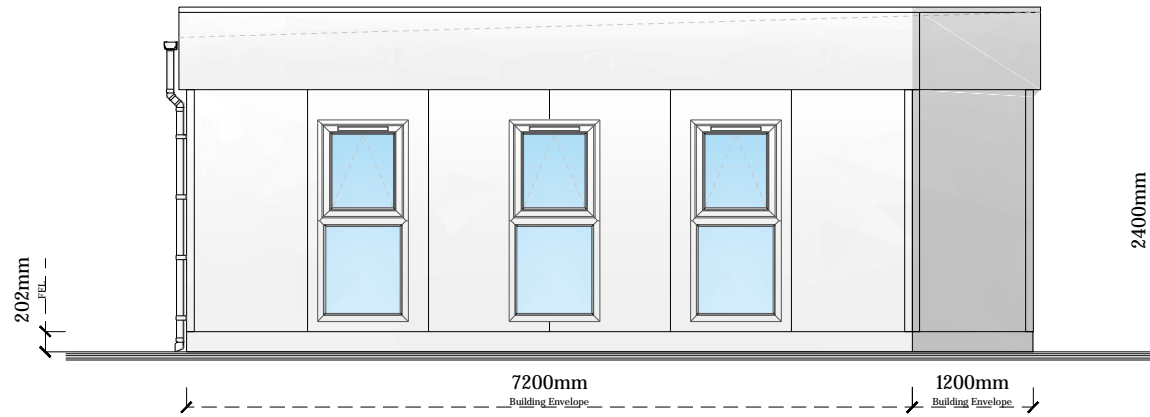
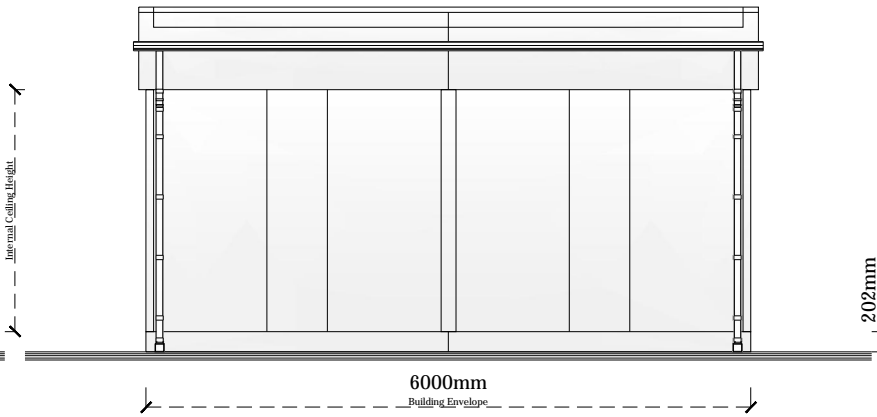


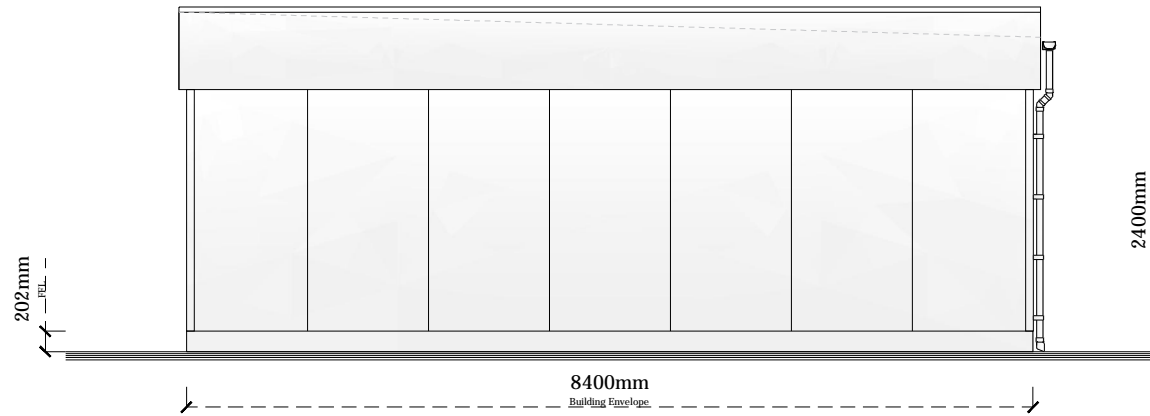
ELEVATION A



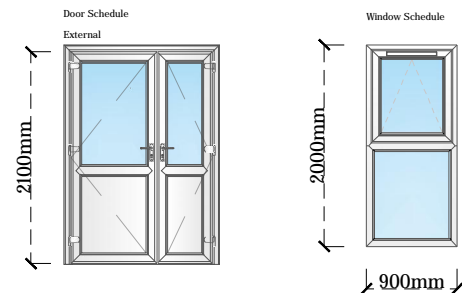
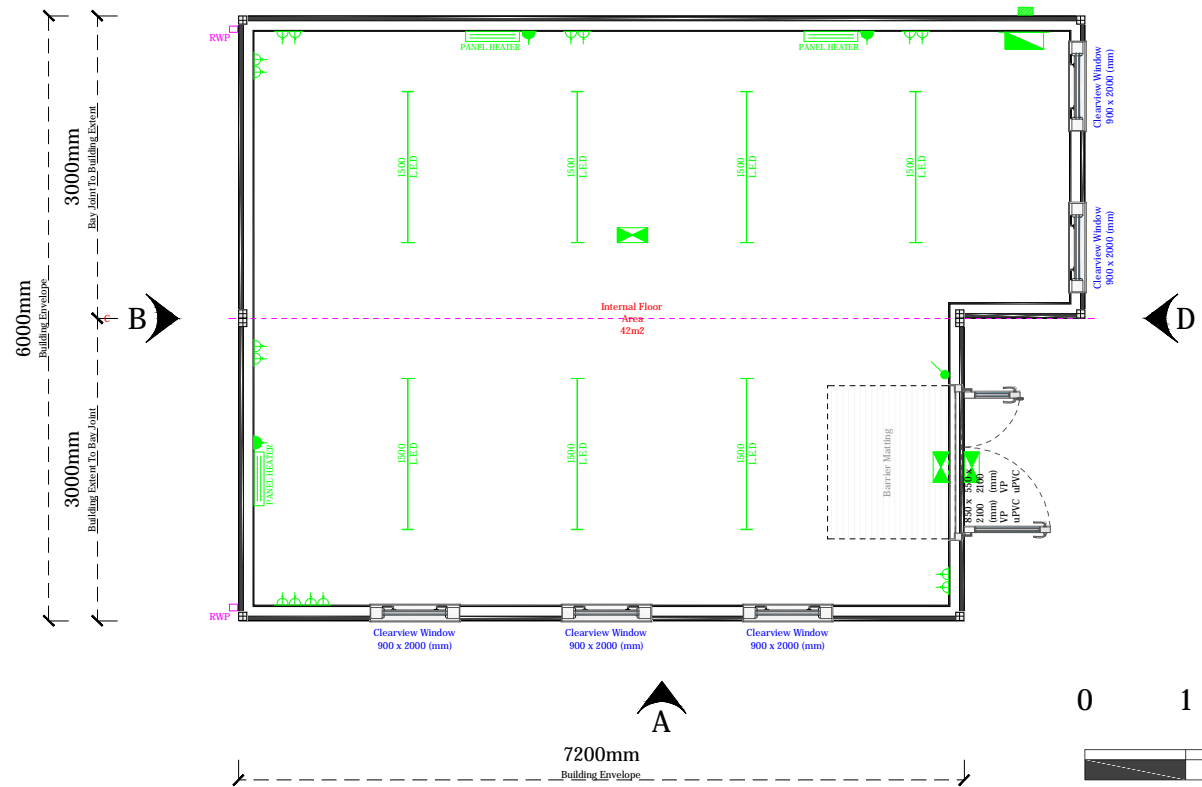
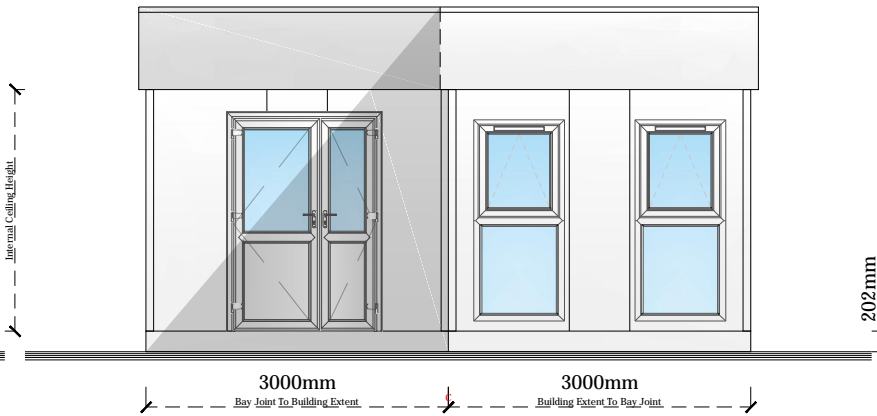
ELEVATION B



ELEVATION C

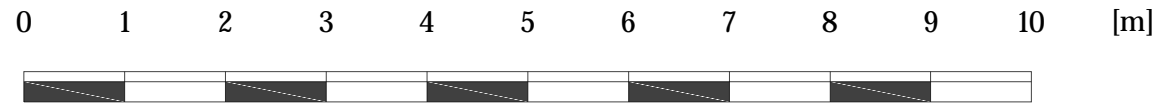


ELEVATION D



Building Specification

Main Body: White, 00E55  
 Finish: Plastic Coated Steel  
 Fascia: White, 00E55  
 Corners: White, 00E55  
 Skirt: White, 00E55  
 Door & Windows: White, uPVC  
 RWP: White  
 Flooring: Carpet, Colour TBC



Drawing Legend

- Distribution Board
- Electrical Inlet
- Single 13Amp Socket (450mm AFFL)
- Double 13Amp Socket (450mm AFFL)
- Double 13Amp Socket (1100mm AFFL)
- H/L Single Switch Fused Spur
- Below Work Top Level Single Switched Spur
- Switched Spur
- Unswitched Spur
- Telephone Outlet Socket (450mm AFFL)
- Data Point
- 20A DP Isolator
- 45A DP Isolator
- 6A Double Pole Pullswitch
- 20A Double Pole Lightswitch (1200 AFFL)
- HL Convector Heater
- Convector Heater
- Tubular Heater
- Under Sink Water Heater
- Emergency Lighting
- Internal Bulkhead Light
- 1500 FLU Fluorescent Light With Diffuser
- 1500 CAT II Category 2 Lighting
- 1500 L.E.D L.E.D Tubular Lighting
- 1500 TUFF Vapor Proof Fluorescent Light
- External Bulkhead Lighting
- Passive Infrared Sensor
- Extractor Fan
- Air Conditioning Condenser
- Air Conditioning Unit
- Cold Water Point
- Rainwater Down Pipe
- Foul Outlet
- Frost Thermostat

REV	DATE	DESCRIPTION



Stock	
Project: New 2 Bay Clearview	
Drawing: Plan & Elevations	
Drawn By: J.H	Date: 05/05/2020
Checked By:	Sheet: A3 Scale: 1:75
Drawing Number: PBSS	Rev: Stock Reference:

This drawing is to be read in conjunction with all related drawings. Do not scale from this drawing. All dimensions must be checked and verified on site before commencing any work or producing shop drawings. The originator should be notified immediately of any discrepancy. This drawing is copyright and remains the property of Portable Building Sales Ltd.