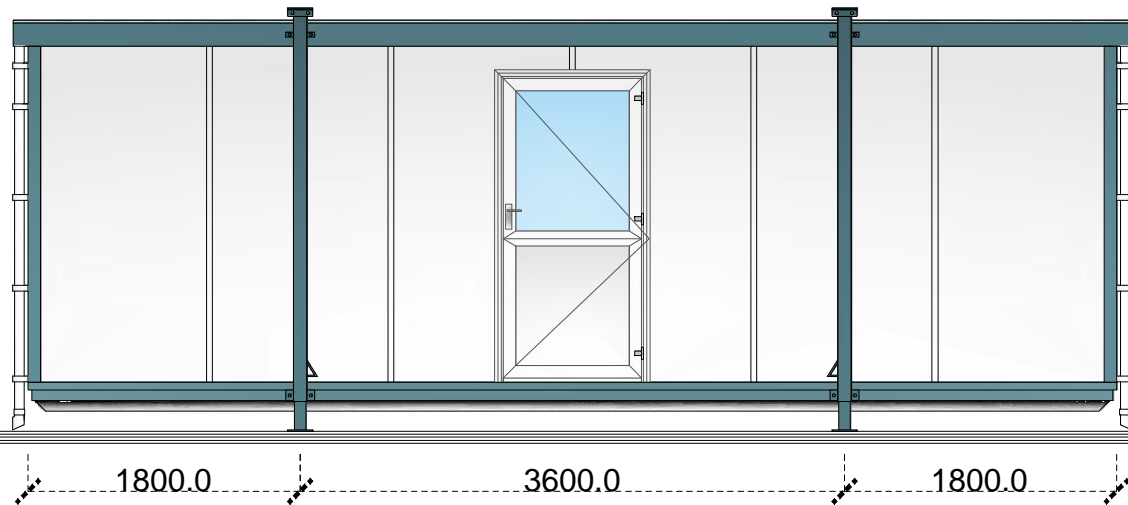
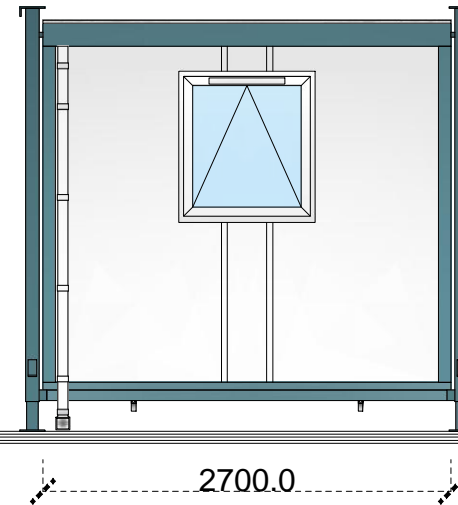


Elevation A



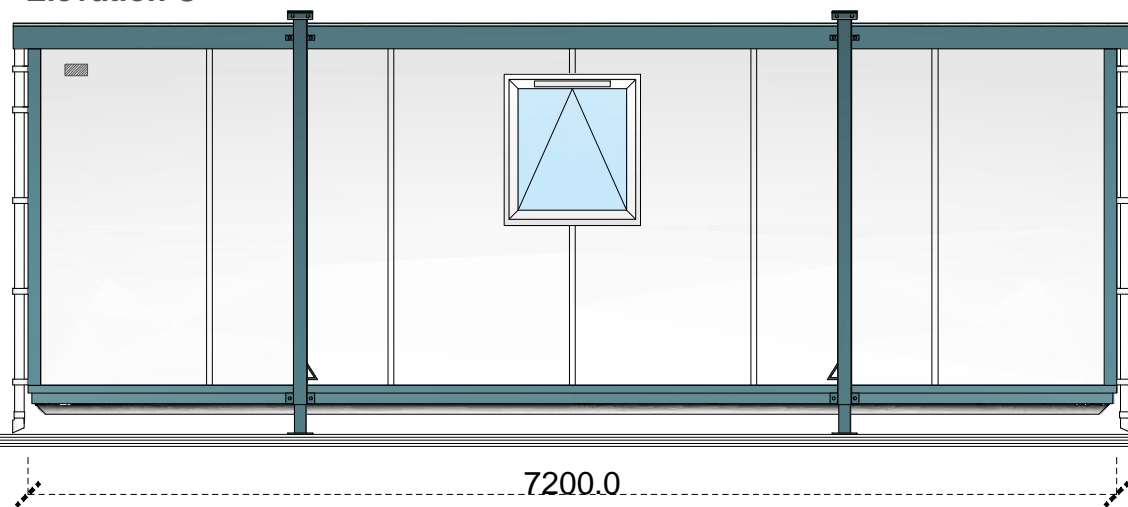
Elevation B



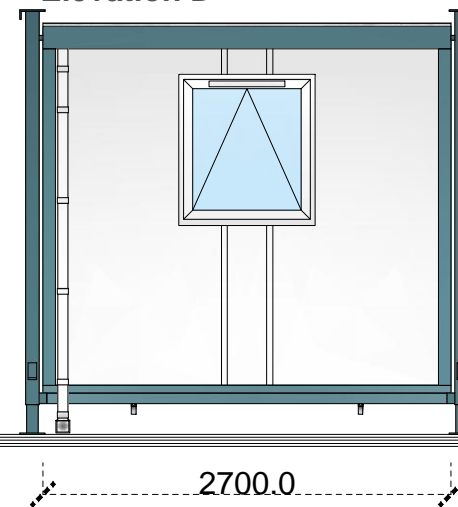
Building Specification

- Main Body: Colour TBC, Finish TBC
- Fascia: Colour TBC
- Corners: Colour TBC
- Jacklegs: Colour TBC
- Door
- Windows
- Flooring: Vinyl, Colour TBC

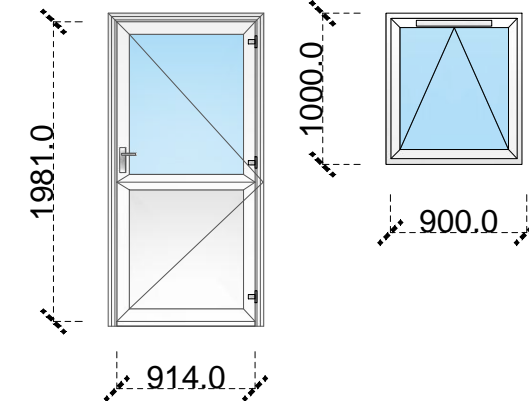
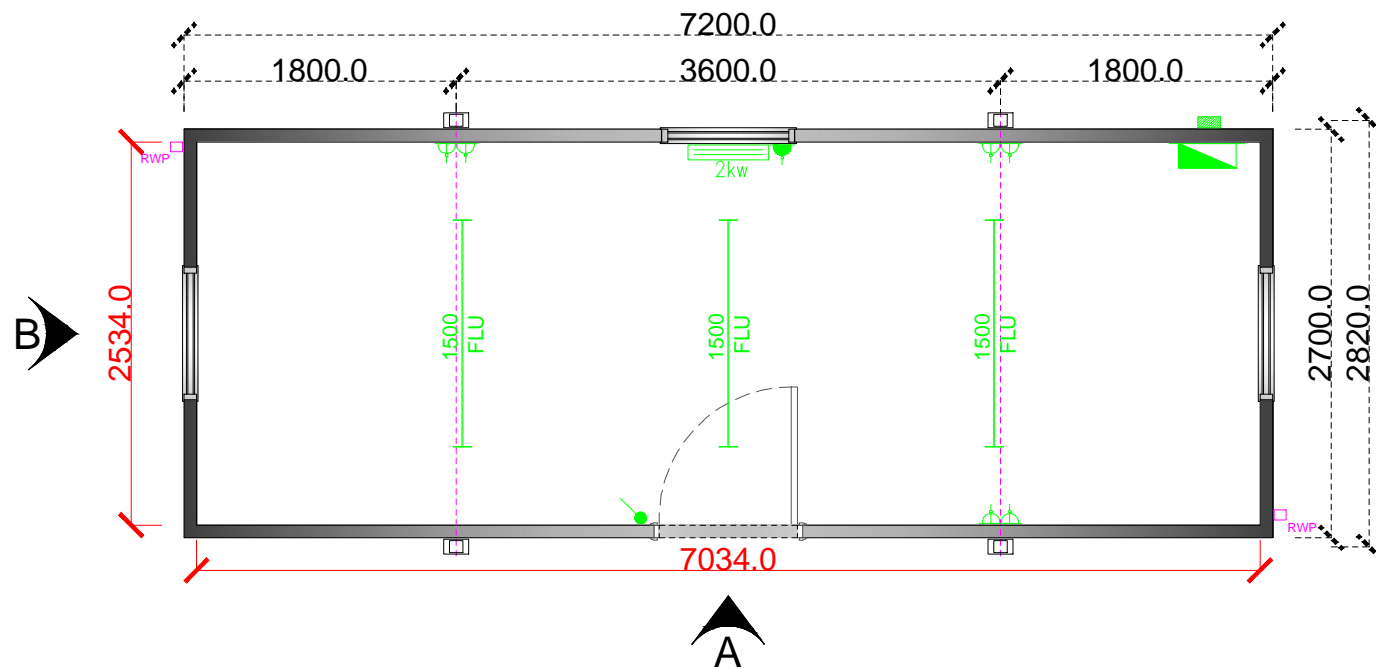
Elevation C



Elevation D



C



Drawing Legend

- Distribution Board
- Electrical Inlet
- Single 13Amp Socket (450mm AFFL)
- Double 13Amp Socket (450mm AFFL)
- Double 13Amp Socket (1100mm AFFL)
- H/L single switch fused spur
- Below work top level single switch fused spur
- Switched Spur
- Non Switched Spur
- Telephone Outlet Socket (450mm AFFL)
- Data Point
- 20A DP Isolator
- 45A DP Isolator
- 6A Double Pole Pullswitch
- 20A Double Pole Lightswitch (1200 AFFL)
- HL Convector Heater
- Convector Heater
- Tubular Heater
- Under Sink Water Heater
- Emergency Lighting
- Internal Bulkhead Light
- Fluorescent Light With Diffuser
- Category 2 Lighting
- L.E.D Tubular Lighting
- Vapor Proof Fluorescent Light
- External Bulkhead Lighting
- Passive Infrared Sensor
- Extractor Fan
- Air Conditioning Condenser
- Air Conditioning Unit
- Cold Water Point
- Rainwater Down Pipe
- Foul Outlet
- Frost Thermostat

REV	DATE	DESCRIPTION	BY



Client	
24' x 9' (7.2m x 2.7m)	
Project	
New Jackleg Cabin (uPVC)	
Drawing	
Plan & Elevations	
Drawn by:	Date
T.P	04/01/2018
Checked by:	Sheet
	A3
	Scale
	1:50
Drawing number:	Rev
PBSE	Stock ref.

This drawing is to be read in conjunction with all related drawings. Do not scale from this drawing. All dimensions must be checked and verified on site before commencing any work or producing shop drawings. The originator should be notified immediately of any discrepancy. This drawing is copyright and remains the property of Portable Building Sales Ltd.